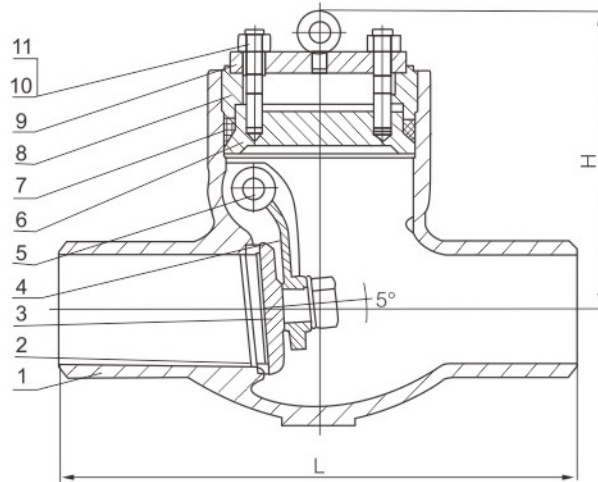


### 产品采用标准 Products Using Standard

结构形式 structural style	压力密封旋启式止回阀 Pressure seal swing check valve	
设计依据 Design basis	GB	API
设计标准 Design standard	GB/ T12236	API 600
结构长度 Structure length	GB/ T12221	ASMEB16.10
连接法兰 Connecting flange	JB/ T79 GB/ T12236 HG20594	ASMEB 16.5
对焊端 Butt welding ends	GB/ T1224	ASMEB16.25
试验和检验 Test and inspection	JB/ T9092	API598

### 主要零件材质 Main Parts Material

零件名称 Part name	材料名称 Material name	
	ASTM	GB
阀体 Body	WCB, WC1, WC6, WC9, C5 CF8, CF8M, CF8C, CF3, CF3M	WCB, WC1, WC6, WC9, C5 CF8, CF8M, CF8C, CF3, CF3M
阀瓣 Valve	WCB, WC1, WC6, WC9, C5 CF8, CF8M, CF8C, CF3, CF3M	WCB, WC1, WC6, WC9, C5 CF8, CF8M, CF8C, CF3, CF3M
阀座 Seat	A 105, F11, F22, F5, F9 F304, F316, F321, F304L, F316L	25, 1Cr18Ni9Ti 0Cr18Ni12Mo2Ti, 20Cr1Mo1V, 25Cr2Mov
销轴 Pin shaft	Gr F6a, F22 F304, F316, F321, F304L, F316L	1Cr13, 2Cr13 1Cr18Ni90Ti, 0Cr18Ni12Mo2Ti
摇杆 Rocker	WCB, WC1, WC6, WC9, C5 CF8, CF8M, CF8C, CF3, CF3M	WCB, WC1, WC6, WC9, C5 CF8, CF8M, CF8C, CF3, CF3M
阀盖 Valve cover	A 105, F11, F22, F5, F9 F304, F316, F321, F304L, F316L	25, 1Cr18Ni9Ti 0Cr18Ni12Mo2Ti, 20Cr1Mo1V, 25Cr2Mov
密封圈 Seal ring	柔性石墨 flexible graphite	柔性石墨 flexible graphite
压盖 Gland	WCB, WC1, WC6, WC9, C5 CF8, CF8M, CF8C, CF3, CF3M	WCB, WC1, WC6, WC9, C5 CF8, CF8M, CF8C, CF3, CF3M
双头螺柱 Double headed stud	A193-B7, A320-B8, A193-B8M	35CrMoA, 20Cr2Mov 0Cr18Ni9, 0Cr17Ni12Mo2
六角螺母 Hexagon nut	A194-2H, A194-8, A194-8M	45, 35CrMoA, 20Cr2Mov 0Cr18Ni9, 0Cr17Ni12Mo2



Class150, 300, 600, 900, 1500, 2500

DN(mm)	NPS(in)	L	H
<b>磅级Class-150Lb</b>			
50	2	203	132
65	2 1/2	216	147
80	3	241	176
100	4	292	198
150	6	356	320
200	8	495	380
250	10	622	440
300	12	699	480
350	14	787	530
400	16	864	580
450	18	978	618
500	20	978	657
600	24	1295	760
<b>磅级Class-300Lb</b>			
50	2	267	144
65	2 1/2	292	169
80	3	318	210
100	4	356	260
150	6	445	326
200	8	533	380
250	10	622	440
300	12	711	520
350	14	838	540
400	16	864	588
450	18	978	670
500	20	1016	720
600	24	1346	850
<b>磅级Class-600Lb</b>			
50	2	292	225
65	2 1/2	330	240
80	3	356	254
100	4	432	279
150	6	559	368
200	8	660	393
250	10	787	457
300	12	838	584
350	14	889	609
400	16	991	685
450	18	1092	736
500	20	1194	762
600	24	1397	889

DN(mm)	NPS(in)	L	H
<b>磅级Class-900Lb</b>			
50	2	368	225
65	2 1/2	419	240
80	3	381	254
100	4	457	279
150	6	610	381
200	8	737	533
250	10	838	558
300	12	965	609
350	14	1029	736
400	16	1130	762
450	18	1219	863
500	20	1549	939
600	24	1549	1066
<b>磅级Class-1500Lb</b>			
50	2	368	225
65	2 1/2	419	240
80	3	470	254
100	4	546	279
150	6	705	405
200	8	832	567
250	10	991	585
300	12	1130	630
350	14	1257	750
400	16	1384	787
450	18	1537	885
500	20	1664	960
600	24	1943	1120
<b>磅级Class-2500Lb</b>			
50	2	451	225
65	2 1/2	508	249
80	3	578	254
100	4	673	279
150	6	914	420
200	8	1022	570
250	10	1270	1010
300	12	1422	1160