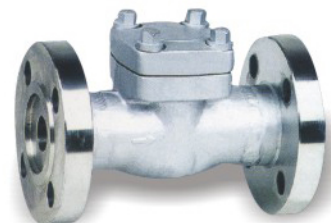
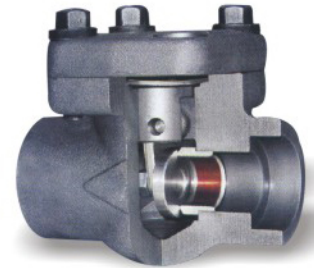


### 采用标准 Adopt Standard

全径或缩径;  
升降式止回阀;  
球式止回阀;  
旋启式止回阀;  
按需求内置弹簧;  
螺栓连接、缠绕垫片密封式阀盖, 螺栓连接、  
全焊密封式阀盖以及螺栓连接内压自紧式阀盖;  
承插端符合ASME B16.11;  
螺纹连接端 ( NPT ) 符合ANSI/ASME B1.20.1;  
阀瓣可变换为节密封、阀瓣、球型阀瓣。

Full diameter or shrinkage;  
Lift check valve;  
Ball type check valve;  
Swing check valve;  
Spring in demand;  
Bolted, wound gasket sealed bonnet,  
Full welded sealed valve cover and internal pressure self sealing valve  
cover with screw connection;  
The socket is in accordance with B16.11 ASME;  
Threaded end (NPT) conforms to ANSI/ASME B1.20.1;



锻钢止回阀有三种阀盖设计形式。第一种是螺栓式阀盖, 按这种设计形式设计的阀门, 其阀体与阀盖用螺栓连接, 缠绕式垫片 (304夹柔性石墨制造) 密封。客户有特殊要求时也可采用金属环连接。第二种设计形式是焊接式阀盖, 按这种设计形式的阀门, 其阀体与阀盖用螺纹连接, 全焊密封。客户有特殊要求时也可采用全焊透连接。第三种是压力自紧式阀盖, 按这种设计的阀门, 其阀体与阀盖螺纹连接, 内压自密封环密封。

Forged steel check valve has three types of valve cover design. The first is a bolt type valve cover, according to the design of the design of the valve, the valve body and the valve cover with a bolt, winding gasket (304 flexible Graphite manufacturing) seal. Customers can also use the special requirements of the metal ring connection. The second form of design is the welded bonnet, in which the valve body and bonnet are threaded connection, full seal. Customers can also use the special requirements of full penetration welding connection. The third is the pressure from the valve cover, according to this design of the valve, the valve body and the valve cover screw connection, the internal pressure from the dense sealing ring.

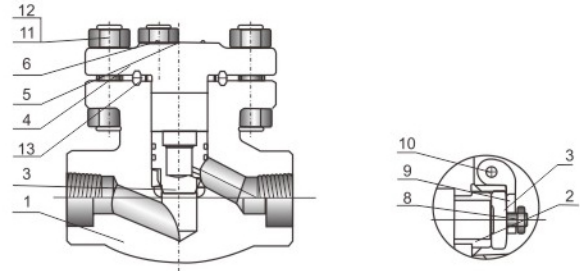
**INTERNAL THREAD AND SOCKET WELDING**  
**CHECK VALVE**  
 内螺纹与承插焊止回阀

Scientific Technological Innovation  
 Source of Prosperity

应用规范 Application Standards	
设计制造 Design and Manufacture Conform	BS5352, MSS SP-118;
连接尺寸 Connection Ends Conform	1)承插口尺寸 Socket welded dimension conform: ANSI B16.11; JB/T 1751 2)螺纹端尺寸 Screw ends dimension conform: ANSI B1.20.1; JB/T7306 3)对焊端尺寸 Butt-welded conform: ANSI B16.25; JB/T12224 4)法兰端尺寸 Flange ends conform: ANSI B16.5; JB79
检查和试验 Test and Inspection Conform	API598; GB/T13927; JB/T9092
结构特性 Structure Features	体盖连接垫片采用金属环(RJ); 螺栓连接阀盖(B.B)焊接阀盖(W.B) Gasket for bonnet connect adopt metal ring. Bolted bonnet, Welded bonnet
材料标准 Material Conform	ANSI/ASTM
主体材料 Main Material	A105; LF2; F5; F11; F22; 304(L); 316(L); F347; F321; F51; Monel; 20 Alloy合金等。

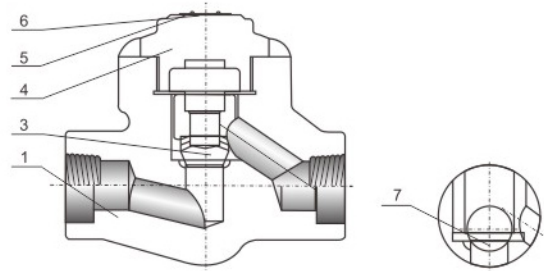
**碳钢温压等级 Carbon steel temperature-pressure rate**

CL 150-285 P.S.I @ 100°F	CL 300-740 P.S.I @ 100°F
CL 600-1480 P.S.I @ 100°F	CL 800-1975 P.S.I @ 100°F
CL 1500-3705 P.S.I @ 100°F	CL 2500-6170 P.S.I @ 100°F



如要加载弹簧需在定单中注明  
 Please mark in you offer if you need load spring

旋启式止回阀示意图  
 Swing type



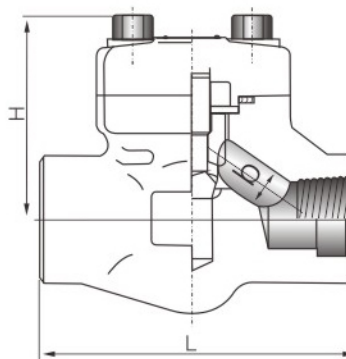
如要加载弹簧需在定单中注明  
 Please mark in you offer if you need load spring

旋启式止回阀示意图  
 Swing type

**典型零件材料表 Material Table For Typical Parts**

序号 NO.	零件名称 Part name	A105/F6a	A105/F6aHFS	LF2/304	F11/F6aHF	F304(L)/304(L)	F316(L)/316(L)	F51/F51
1	阀体 Body	A105	A105	LF2	F11	F304(L)	F316(L)	F51
2	座阀 Seat ring	410	410HF	304	410HF	304(L)	316(L)	F51
3	阀瓣 Disc	F6a	F6a	F304	F6aHF	F304(L)	F316(L)	F51
4	阀盖 Bonnet	A105	A105	LF2	F11	F304(L)	F316(L)	F51
5	铭牌 Nameplate	AL	AL	AL	AL	AL	AL	AL
6	铆钉 Revit	AL	AL	AL	AL	AL	AL	AL
7	钢球 Steel ball	430	430	304	STL	316(L)	F316(L)	STL
8	阀瓣螺母 Disc nut	2H	2H	8	8	8(M)	8(M)	8M
9	摇臂 Hinge	410	410	304	410	316(L)	316(L)	F51
10	销轴 Pin	410	410	304	410	304(L)	316(L)	F51
11	双头螺柱 Screwed stud	B7	B7	L7	B16	B8(M)	B8(M)	B8(M)
12	螺母 Nut	2H	2H	8	8	8(M)	8(M)	8(M)
13	金属环 Metal ring	304	304	304	304	304(L)	316(L)	F51

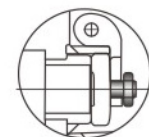




如要加载弹簧需在定单中注明  
Please mark in you offer if you need load spring



球型止回阀示意图  
Ball type



旋启式止回阀示意图  
Swing type

焊接阀盖，缩径和全径。末端连接为螺纹或承插焊或对焊，设计按:BS5352

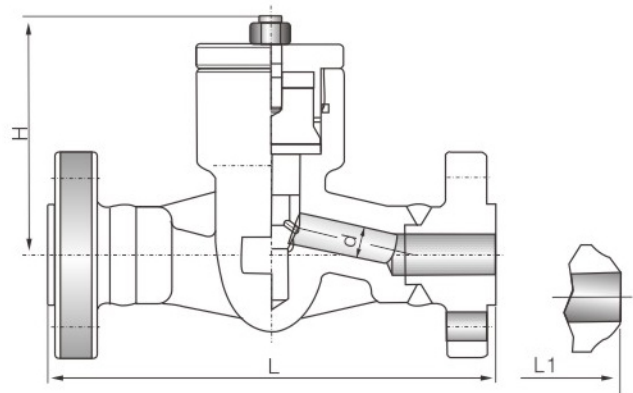
Welded bonnet, full port and reducing port Threaded, butt-welded or socket welded ends; design to BS5352

CL800										
规格(NPS) Specification	R.P		1/2	3/4	1	1 1/4	1 1/2	2		
	F.P		1/4	3/8	1/2	3/4	1	1 1/4	1 1/2	2
结构长度(mm) Face to face	L	升降式	79	79	92	111	120	152	172	200
		旋启式	79	79	92	111	120	120	140	178
中心高度(开)(mm) Height	H	升降式	61	61	61	78	84	84	118	132
		旋启式	61	61	61	78	84	84	120	133
流道孔径(mm) Flow port diamension	d	升降式	7	9	13	17.5	23	30	35	46
		旋启式	8	10.5	13.5	18	24	29	36.5	45
重量Weight(kg)		升降式	-	-	-	-	-	-	-	-
		旋启式	-	-	-	-	-	-	-	-

焊接阀盖，缩径和全径。末端连接为螺纹或承插焊或对焊，设计按:BS5352

Welded bonnet, full port and reducing port Threaded, butt-welded or socket welded ends; design to BS5352

CL900-CL1500										
规格(NPS) Specification	R.P		1/2	3/4	1	1 1/4	1 1/2	2		
	F.P		1/4	3/8	1/2	3/4	1	1 1/4	1 1/2	2
结构长度(mm) Face to face	L	升降式	92	111	111	120	152	172	200	
		旋启式	92	111	111	120	120	140	178	
中心高度(开)(mm) Height	H	升降式	61	78	78	84	103	118	132	
		旋启式	61	78	78	84	101	120	133	
流道孔径(mm) Flow port diamension	d	升降式	7	12	15	20	28	32	40	
		旋启式	8	10.5	13.5	18	24	29	45	
重量Weight(kg)		升降式	-	-	-	-	-	-	-	
		旋启式	-	-	-	-	-	-	-	



压力自紧式密封，螺纹连接阀盖，缩径和全径。末端连接为法兰或对焊，设计按:BS5352  
Pressure self tight seal, threaded valve cover, diameter and diameter.End joining flanges, designed by: BS5352

### CL900-CL1500

规格(NPS)Specification	F.P	3 / 8	1 / 2	3 / 4	1	1 1 / 4	1 1 / 2	2
结构长度(mm) Face to face	L(RF),L1(BW)		216	229	254	280	305	268
	L(RTJ)		216	229	254	280	305	371
中心高度(开)(mm)Height	L		117	117	117	152	152	195
流道孔径(mm)Flow port dimension	H		12	15	20	28	32	40
重量Weight(kg)	d		10.5	11.9	13.9	19.9	26.9	32.5

压力自紧式密封，螺纹连接阀盖，缩径和全径。末端连接为法兰或对焊，设计按:ASME B 16.34  
Pressure self tight seal, threaded valve cover, diameter and diameter.End joining flanges, designed by: ASME B 16.34

### CL2500

规格(NPS)Specification	F.P	3 / 8	1 / 2	3 / 4	1	1 1 / 4	1 1 / 2	2
结构长度(mm) Face to face	L(RF),L1(BW)		264	273	308	349	384	450
	L(RTJ)		264	273	308	352	387	454
中心高度(开)(mm)Height	L		117	117	117	152	152	195
流道孔径(mm)Flow port dimension	H		12	15	20	32	28	40
重量Weight(kg)	d		12.6	14.9	16.5	24.8	30	35